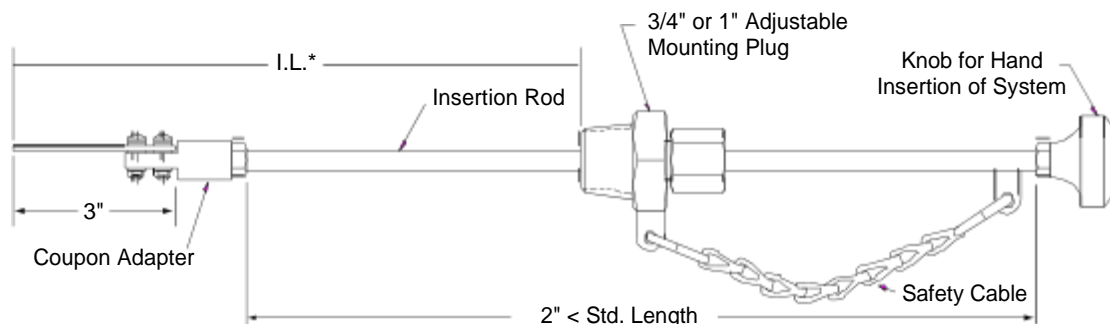


Model SR3000

Low Pressure Adjustable Coupon Insertion System



Model SR3000 coupon insertion system is an adjustable unit commonly used in the water treating industry. The system is designed to mount onto a 1" piping system, but can easily be adapted to fit your specific requirements. The system consists of an insertion rod with a coupon adapter. The standard assembly is available with 3/4" or 1" NPT threads on the mounting plug. A safety cable and safety nut are also provided to prevent blowout. Several coupon holders and lengths are available.

Note: Since the adjustable mounting plug on the SR3000 is not a packing gland, some system leakage may occur if retracted or inserted into a pressurized system. Therefore, this model is suggested for use only in non-hazardous systems.

*The insertion length (I.L.) shown here is based on a standard Metal Samples Corrosion Monitoring Systems part #CO118 coupon and may vary for other coupons depending on the coupon length and hole location.

Specifications:

Body - 316 Stainless Steel

Temperature Rating - 100°F

Pressure Rating - 125 PSI / 8.5 Bar (TFE Ferrule)
- 1,500 PSI / 102 Bar (Metal Ferrule)

Mounting - 1" Full Port Valve (Min.)

Std. Length	I.L. (Max.)
81" "	16.5
42" "	22.5
03" "	28.5
63" "	34.5
24" "	40.5

Metal Samples Corrosion Monitoring Systems

A Division of Alabama Specialty Products, Inc.

152 Metal Samples Rd., Munford, AL 36268 Phone: (256) 358-4202 Fax: (256) 358-4515

E-mail: msc@alspi.com Internet: www.metalsamples.com

Houston Office: 8811 Kensington Court, LaPorte, TX 77571 Phone: (281) 471-2777 Fax: (281) 471-3405

SR3000 Ordering Information

Model					
SR32	Low Pressure Adjustable Coupon Insertion System with 3/4" NPT				
SR33	Low Pressure Adjustable Coupon Insertion System with 1"				
	NPT				
	Insertion Rod & Mounting Material				
22	316				
44	C276				
	Coupon Options				
010	Fits P/N CO100				
030	Fits P/N CO118				
	Length				
18	16.5 inches max. insertion length				
24	22.5 inches max. insertion length				
30	28.5 inches max. insertion length				
36	34.5 inches max. insertion length				
42	40.5 inches max. insertion length				
	Coupon Adapter and Insulators ®				
1	Coupon adapter same material as rod, Teflon insulators				
2	Teflon coupon adapter, Teflon insulators				
4	Coupon adapter same material as rod, nylon insulators (standard)				
SR32	22	030	18	4	Example of Probe Ordering #

For alloys, sizes, or other special requirements not listed, contact our sales department.